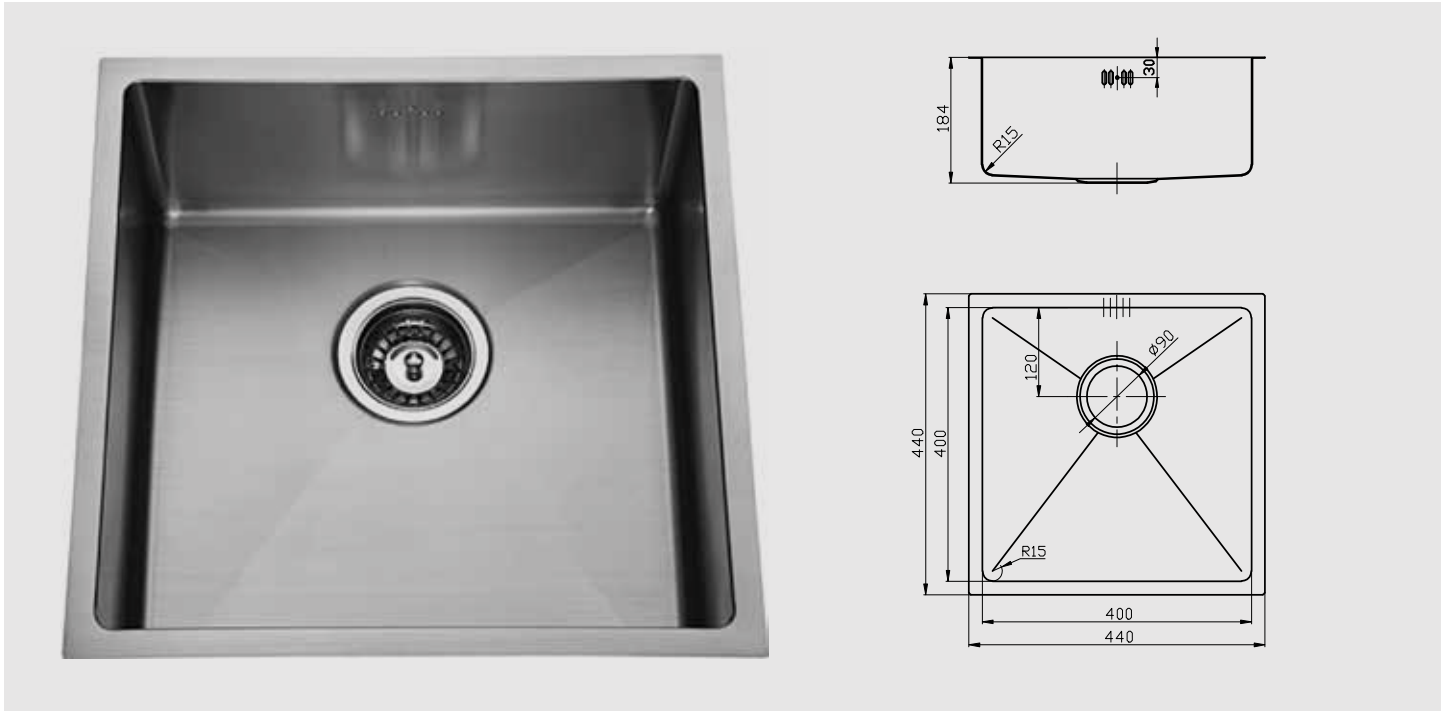


## R15 SERIES | 400

Handmade quality for modern designer kitchens.

1 BOWL



### R15 SERIES 400

The R15 SERIES of sinks feature square lines that are right at home in modern designer kitchens. Built to last from high grade 18/10, 304, 1.2mm gauge brushed satin stainless steel, these sinks are handmade and best suited to undermounting on a solid surface.

All products in this R15 SERIES offer easy cleaning with 15mm corner radius bowls. Lifetime limited warranty on stainless steel.

### SPECIFICATIONS

#### Dimensions

Overall Size: 440 x 440 x 184mm  
Main Bowl Size: 400 x 400 x 184mm  
Bowl Radius: 15mm  
Minimum Cabinet: 500mm

#### Product Details

Installation: Undermount, Flushmount or Welded (by a professional).  
Material: High grade, 304, 18/10 Stainless Steel  
Thickness: 1.2mm gauge  
Finish: Satin Brushed  
Reversible: No  
Edge detail: Flat laser edge

### PRODUCT FEATURES

- Sound proofing pads on all sides.
- Special spray on insulation coat which retains water temperature for longer.

#### Waste & Overflow System

- Basket waste with overflow kit and mounting brackets are included.
- 90mm waste hole.

#### Warranty

Lifetime limited warranty on stainless steel.

#### Product Sku Code

R15 400

