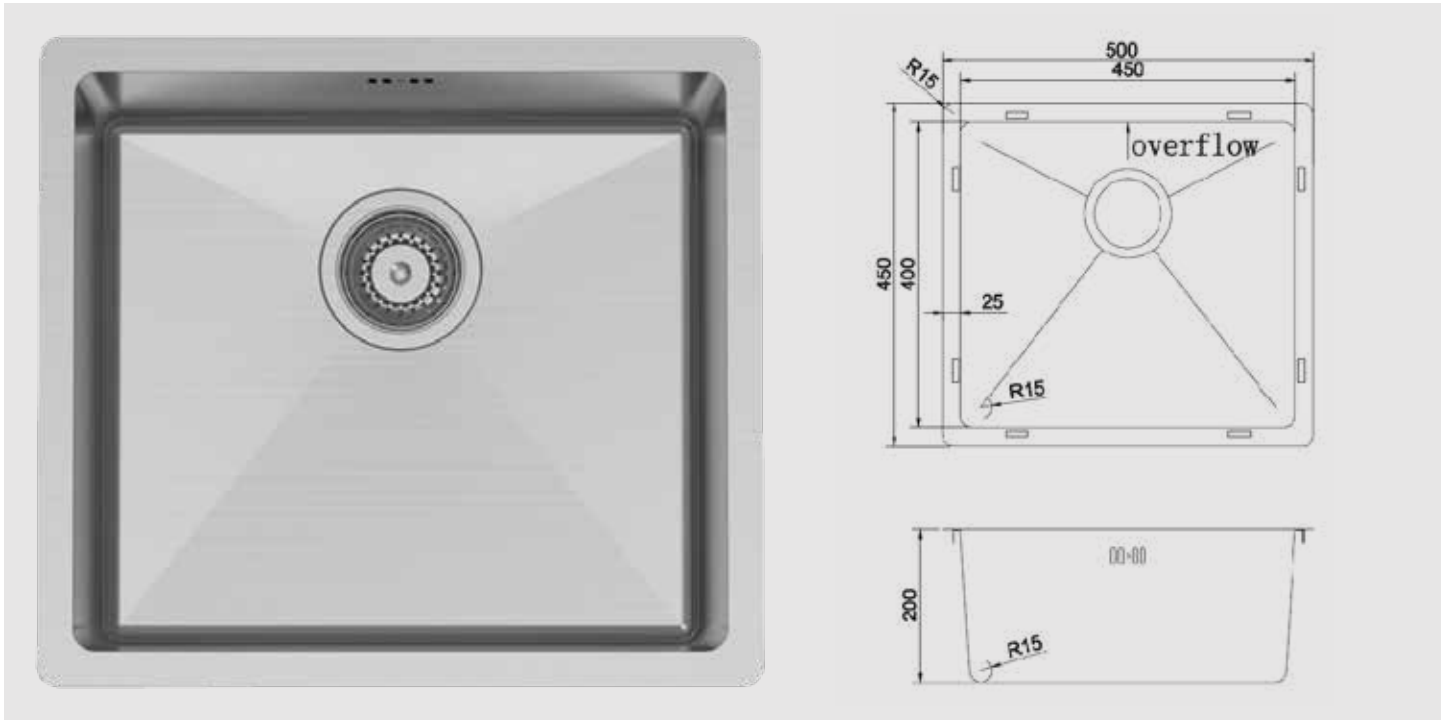


## CUBE SERIES | 45

Affordable, quality hand crafted sinks.

### 1 BOWL



### CUBE SERIES 45

The CUBE SERIES of sinks offers hand crafted quality at affordable prices. With a wide selection of popular sizes in both single and double bowls, these sinks are made from high grade 18/10, 304, 1mm brushed satin stainless steel.

All the CUBE SERIES sinks are suitable for both top mounting and under mounting, and all sinks feature easy-to-clean 15mm radius corners.

### SPECIFICATIONS

#### Dimensions

Overall Size: 500 x 450 x 200mm  
 Main Bowl Size: 450 X 400 X 200mm  
 Bowl Radius: 15mm  
 Minimum Cabinet: 550mm

#### Product Details

Installation: Undermount, Topmount or Welded  
 Material: High grade, 304, 18/10 Stainless Steel  
 Thickness: 1mm  
 Finish: Satin Brushed  
 Reversible: No  
 Edge detail: Laser Flat

### PRODUCT FEATURES

- Sound proofing pads on all sides.
- Special spray on insulation coat which retains water temperature for longer.

#### Waste & Overflow System

- Basket waste with overflow kit.
- 90mm waste hole.

#### Warranty

Lifetime limited warranty on stainless steel.

#### Product Sku Code

Cube 45



# CUBE SERIES | 45

CUT-OUTS FOR BOTH TOPMOUNT & UNDERMOUNT

