

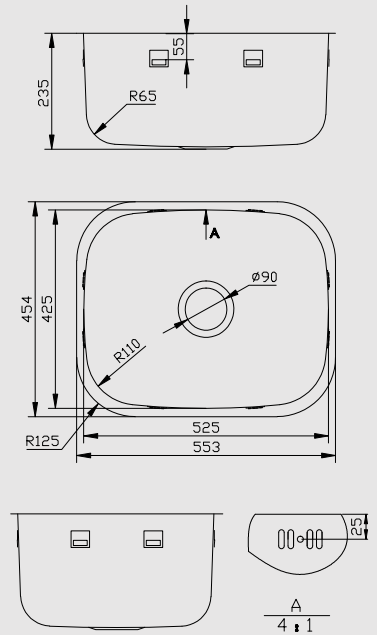


# PROJECT SERIES

## PROJECT SERIES | 553U

Designed with your budget in mind.

### 1 LAUNDRY BOWL



### PROJECT SERIES 553U

The PROJECT SERIES of sinks are well-made and affordable, offering practical kitchen and laundry solutions. They are made from high grade 18/10, 304, stainless steel in 0.8mm gauge. Lifetime limited warranty on stainless steel.

### SPECIFICATIONS

#### Dimensions

Overall Size: 553 X 454 X 240mm  
Main Bowl Size: 525 X 426 X 240mm  
Minimum Cabinet: 600mm

#### Product Details

Installation: Topmounted, Undermounted or Welded (by professional)  
Material: High grade, 304, 18/10 Stainless Steel  
Thickness: 0.8mm gauge  
Finish: Silk  
Reversible: No  
Edge detail: Laser flat

### PRODUCT FEATURE

#### Waste & Overflow System

- Basket waste with overflow kit and clips included.
- 90mm waste hole.

#### Warranty

Lifetime limited warranty on stainless steel.

#### Product Sku Code

Project PR 1B 553U (Laundry Bowl)

#### Note

All dimensions are shown in millimetres and are approximate these should be checked prior to installation. We recommend that all sinks are installed by a professional installer as warranties may be void.



MM BRANDS  
263 Ti Rakau Drive, East Tamaki,  
Auckland 2140, New Zealand.

Help & Support  
For more information please go  
to our website or contact us.

Call: +64 9 274 0111 or 0800 536 252  
Email: sales@mmbrands.co.nz  
www.sinxbytotara.co.nz