

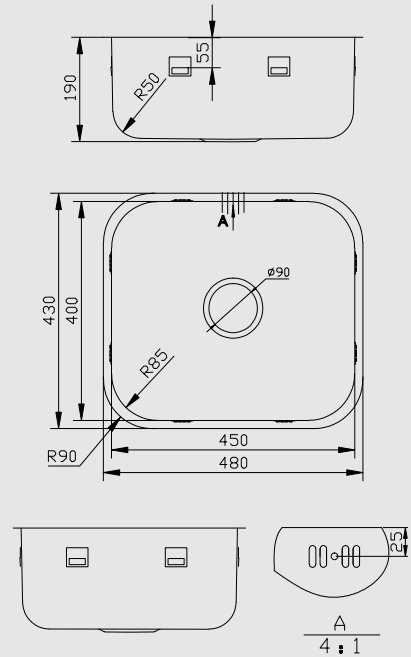


PROJECT SERIES

PROJECT SERIES | 480U

Designed with your budget in mind.

1 BOWL



PROJECT SERIES 480U

The PROJECT SERIES of sinks are well-made and affordable, offering practical kitchen and laundry solutions. They are made from high grade 18/10, 304, stainless steel in 0.8mm gauge. Lifetime limited warranty on stainless steel.

SPECIFICATIONS

Dimensions

- Overall Size: 480 x 430 x 190mm
- Main Bowl Size: 450 x 400 x 190mm
- Minimum Cabinet: 550mm

Product Details

- Installation: Topmounted, Undermounted or Welded (by professional)
- Material: High grade, 304, 18/10 Stainless Steel
- Thickness: 0.8mm gauge
- Finish: Silk
- Reversible: No
- Edge detail: Laser flat

PRODUCT FEATURE

Waste & Overflow System

- Basket waste with overflow kit and clips included.
- 90mm waste hole.

Warranty

Lifetime limited warranty on stainless steel.

Product Sku Code

Project PR 1B 480U

Note

All dimensions are shown in millimetres and are approximate these should be checked prior to installation. We recommend that all sinks are installed by a professional installer as warranties may be void.



MM BRANDS
263 Ti Rakau Drive, East Tamaki,
Auckland 2140, New Zealand.

Help & Support
For more information please go
to our website or contact us.

Call: +64 9 274 0111 or 0800 536 252
Email: sales@mmbrands.co.nz
www.sinxbytotara.co.nz