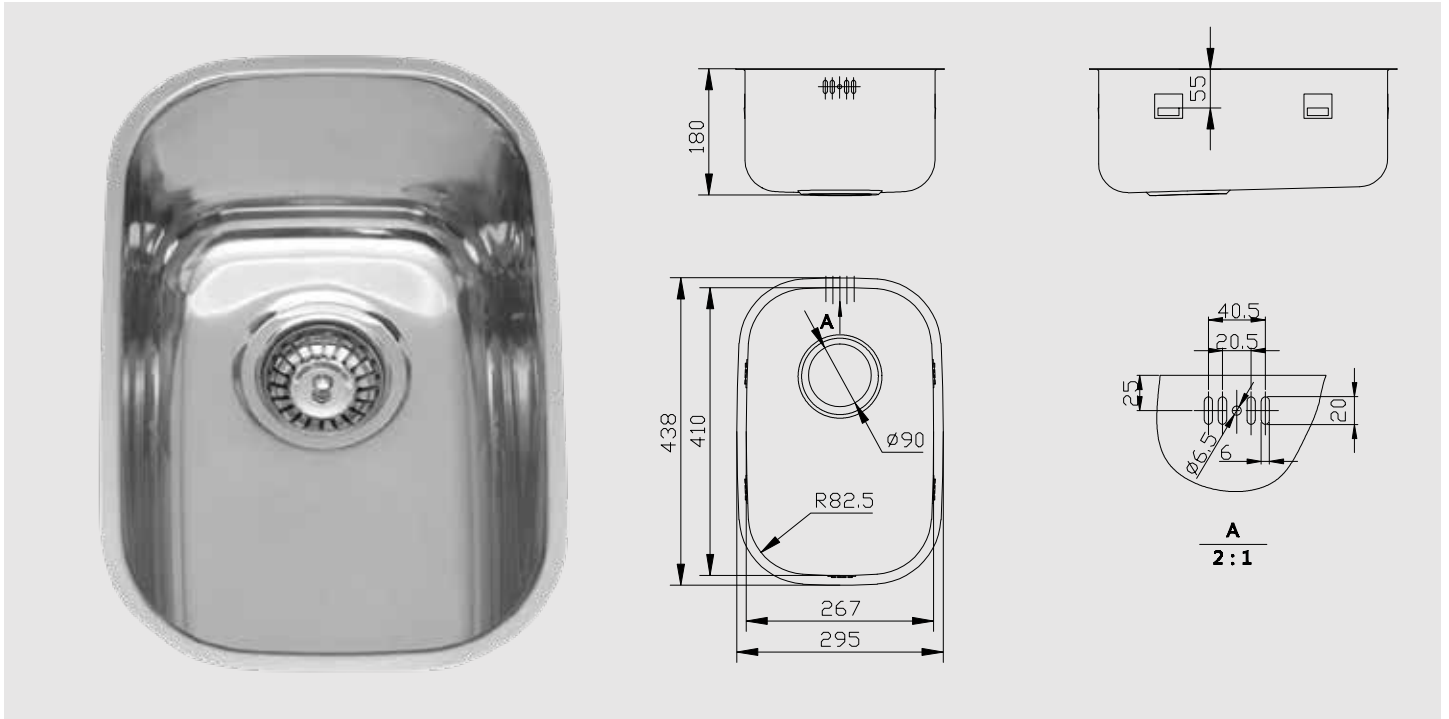


PROJECT SERIES | 295U

Designed with your budget in mind.

1 BOWL



PROJECT SERIES 295U

The PROJECT SERIES of sinks are well-made and affordable, offering practical kitchen and laundry solutions. They are made from high grade 18/10, 304, stainless steel in 0.8mm gauge. Lifetime limited warranty on stainless steel.

SPECIFICATIONS

Dimensions

Overall Size: 295 X 438 X 180mm
Main Bowl Size: 267 X 410 X 180mm
Minimum Cabinet: 350mm

Product Details

Installation: Topmount & Undermount (by professional)
Material: High grade, 304, 18/10 Stainless Steel
Thickness: 0.8mm gauge
Finish: Silk
Reversible: No
Edge detail: Laser flat

PRODUCT FEATURE

Waste & Overflow System

- Basket waste with overflow kit and clips included.
- 90mm waste hole.

Warranty

Lifetime limited warranty on stainless steel.

Product Sku Code

Project PR 1B 295U

Note

All dimensions are shown in millimetres and are approximate these should be checked prior to installation. We recommend that all sinks are installed by a professional installer as warranties may be void.

