



ZEN
SERIES

ZEN SERIES | 800

Elegant designer sinks to enhance your home.

1 BOWL & 1 DRAINER



ZEN SERIES 800

The ZEN SERIES is engineered to last, combining elegance and sophistication to complement your modern designer kitchen and enhance your home.

These handmade sinks are made from high grade 18/10, 304, 1.2mm gauge brushed satin stainless steel for strength and durability.

Suitable for top mounting or undermounting, they feature 15mm radius bowls with bevelled edge for easy cleaning. Lifetime limited warranty on stainless steel.

SPECIFICATIONS

Dimensions

Overall Size: 800 x 500 X 200mm
Main Bowl Size: 355 X 405 x 200mm
Bowl Radius: 15mm
Minimum cabinet size: 450mm

Product Details

Installation: Undermount, Topmount or Welded
Material: High grade, 304, 18/10 Stainless Steel
Thickness: 1.2mm gauge
Finish: Satin Brushed
Edge detail: K Edge (Bevelled)
Reversible: Yes

PRODUCT FEATURES

- Sound proofing pads on all sides.
- Special spray on insulation coat which retains water temperature for longer.

Waste & Overflow System

- Basket waste with overflow kit, clips included.
- 90mm waste hole.

Warranty

Lifetime limited warranty on stainless steel.

Product Sku Code

Zen 800



LIFETIME
LIMITED WARRANTY
ON STAINLESS STEEL



UNDERMOUNT



TOPMOUNT



WELDED



REVERSIBLE

MM BRANDS



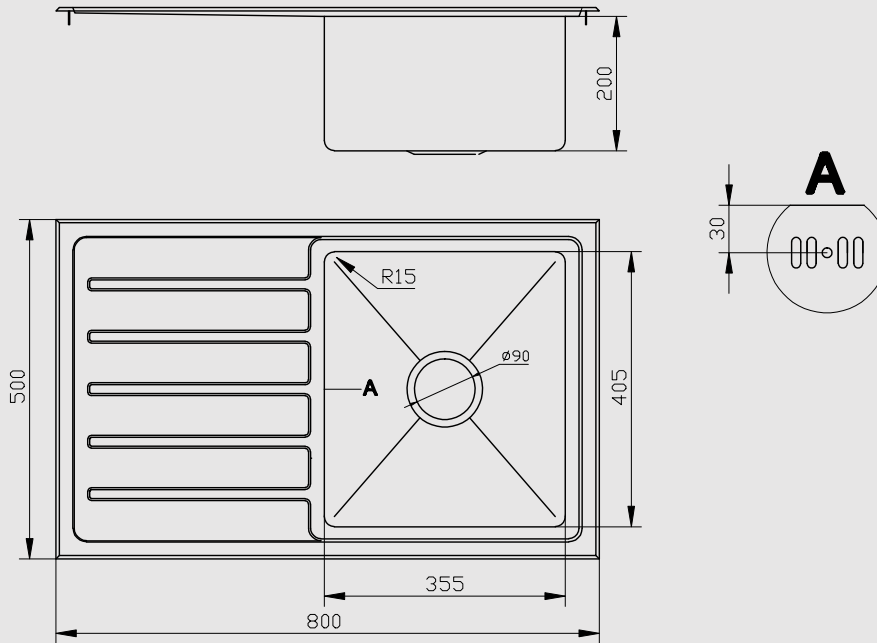
MM BRANDS
263 Ti Rakau Drive, East Tamaki,
Auckland 2140, New Zealand.

Help & Support
For more information please go
to our website or contact us.

Call: +64 9 274 0111 or 0800 536 252
Email: sales@mmbrands.co.nz
www.sinxbytotara.co.nz

ZEN SERIES | 800

DIMENSIONS



CUT-OUTS FOR BOTH TOPMOUNT & UNDERMOUNT

