



ZEN  
SERIES

# ZEN SERIES | 1200L

Elegant designer sinks to enhance your home.

1 & 1/2 BOWL, 1 DRAINER



## ZEN SERIES 1200L

The ZEN SERIES is engineered to last, combining elegance and sophistication to complement your modern designer kitchen and enhance your home.

These handmade sinks are made from high grade 18/10, 304, 1.2mm gauge brushed satin stainless steel for strength and durability.

Suitable for top mounting or undermounting, they feature 15mm radius bowls with bevelled edge for easy cleaning. Lifetime limited warranty on stainless steel.

Left hand large bowl (right hand option available).

## SPECIFICATIONS

### Dimensions

Overall Size: 1200 x 500 x 250mm  
Main Bowl Size: 405 x 355 x 250mm  
Secondary Bowl Size: 345 x 300 x 250mm  
Bowl Radius: 15mm  
Minimum cabinet size: 800mm

### Product Details

Installation: Undermount, Topmount or Welded  
Material: High grade, 304, 18/10 Stainless Steel  
Thickness: 1.2mm gauge  
Finish: Satin Brushed  
Edge detail: K Edge (Bevelled)  
Reversible: No

## PRODUCT FEATURES

- Sound proofing pads on all sides.
- Special spray on insulation coat which retains water temperature for longer.

### Waste & Overflow System

- 2 x Basket waste one with overflow kit, clips included.
- 90mm waste hole.

### Warranty

Lifetime limited warranty on stainless steel.

### Product Sku Code

Zen 1200L



LIFETIME  
LIMITED WARRANTY  
ON STAINLESS STEEL



UNDERMOUNT



TOPMOUNT



WELDED



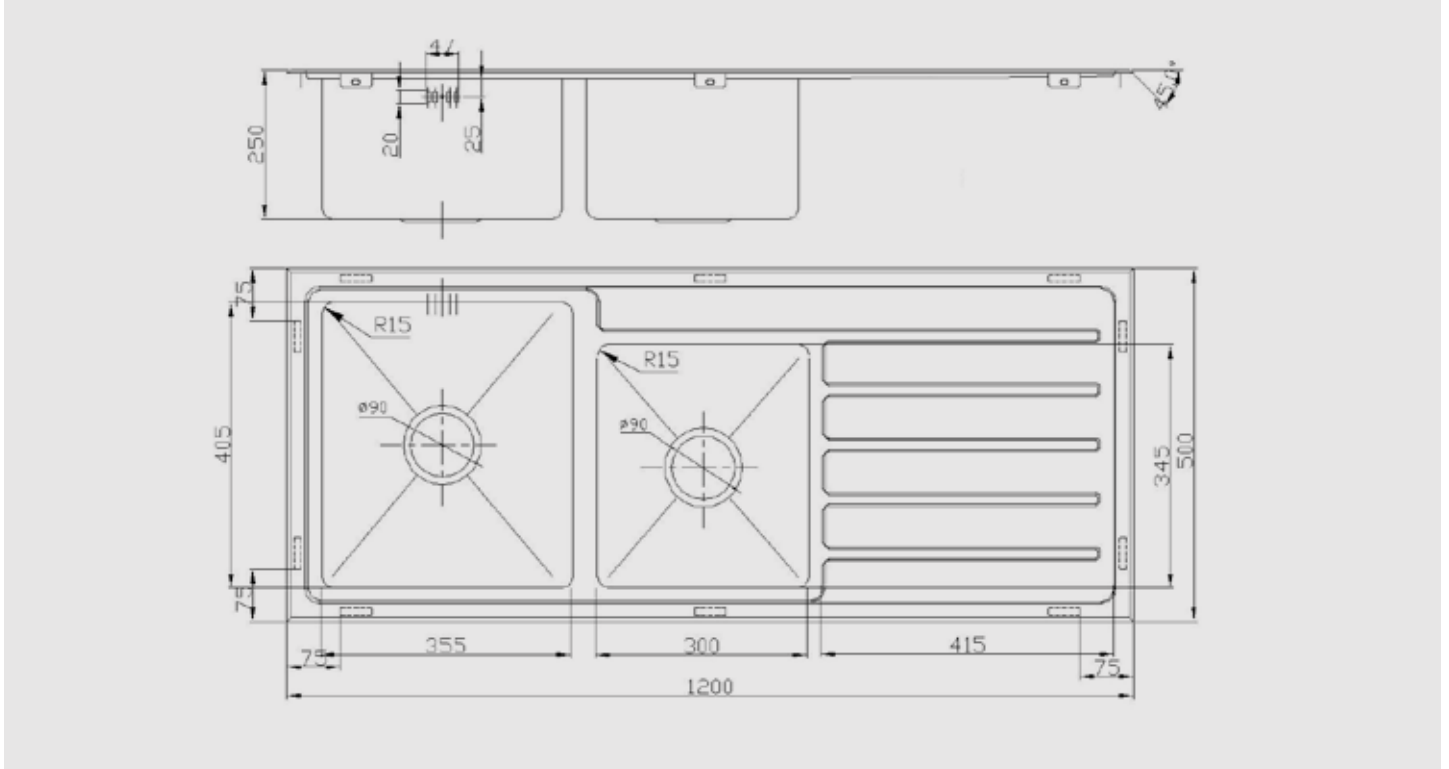
MM BRANDS  
263 Ti Rakau Drive, East Tamaki,  
Auckland 2140, New Zealand.

Help & Support  
For more information please go  
to our website or contact us.

Call: +64 9 274 0111 or 0800 536 252  
Email: [sales@mmbrands.co.nz](mailto:sales@mmbrands.co.nz)  
[www.sinxbytotara.co.nz](http://www.sinxbytotara.co.nz)

# ZEN SERIES | 1200L

## DIMENSIONS



## CUT-OUTS FOR BOTH TOPMOUNT & UNDERMOUNT

