

ZEN SERIES | 1080

Elegant designer sinks to enhance your home.

1 & 1/2 BOWL, 1 DRAINER



ZEN SERIES 1080

The ZEN SERIES is engineered to last, combining elegance and sophistication to complement your modern designer kitchen and enhance your home.

These handmade sinks are made from high grade 18/10, 304, 1.2mm gauge brushed satin stainless steel for strength and durability.

Suitable for top mounting or undermounting, they feature 15mm radius bowls with bevelled edge for easy cleaning. Lifetime limited warranty on stainless steel.

SPECIFICATIONS

Dimensions

Overall Size: 1080 x 500 X 200mm
 Main Bowl Size: 355 x 405 x 200mm
 Secondary Bowl Size: 250 x 290 x 200mm
 Bowl Radius: 15mm
 Minimum cabinet size: 700mm

Product Details

Installation: Undermount, Topmount or Welded
 Material: High grade 304, 18/10 Stainless Steel
 Thickness: 1.2mm gauge
 Finish: Satin Brushed
 Edge detail: K Edge (Bevelled)
 Reversible: Yes

PRODUCT FEATURES

- Sound proofing pads on all sides.
- Special spray on insulation coat which retains water temperature for longer.

Waste & Overflow System

- Basket waste with overflow kit, clips included.
- 90mm waste hole.

Warranty

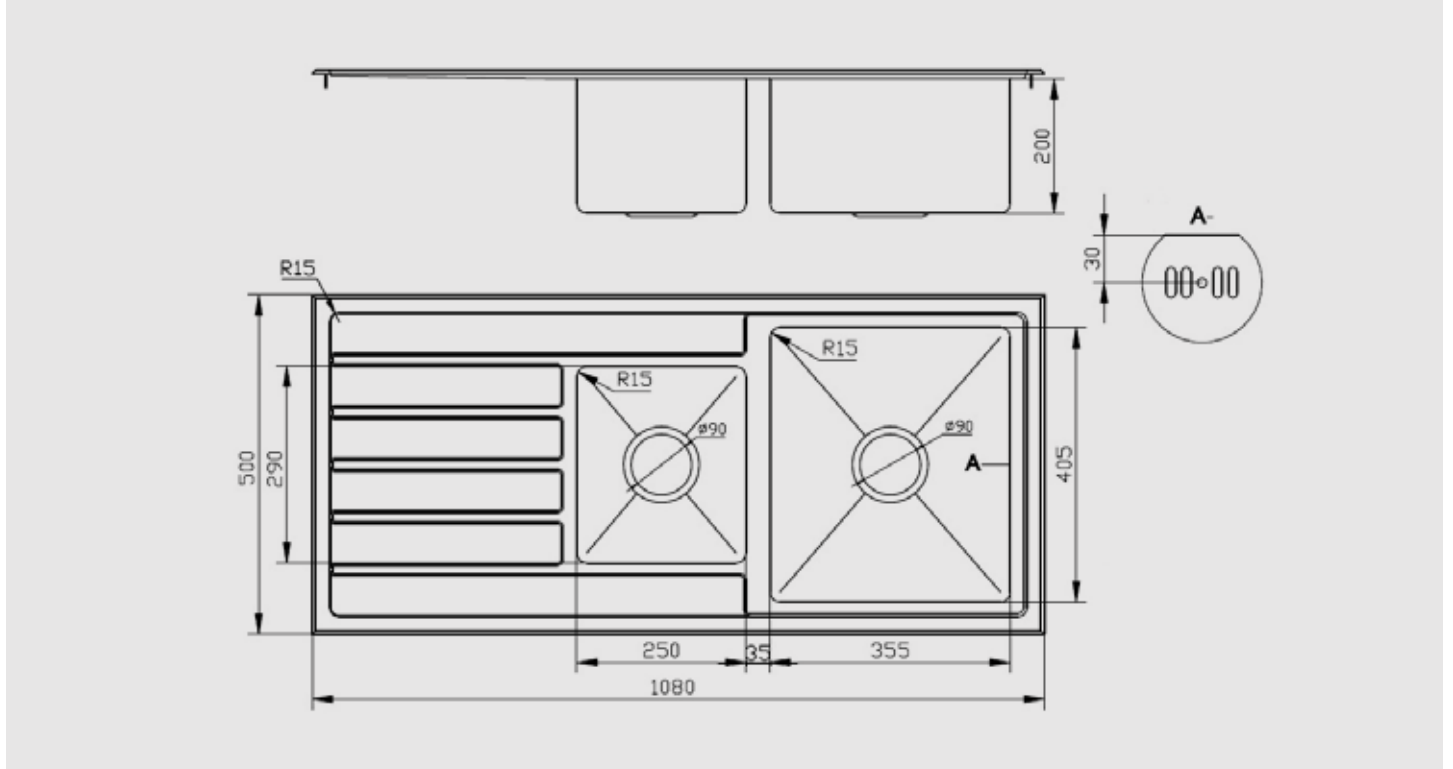
Lifetime limited warranty on stainless steel.

Product Sku Code

Zen 1080

ZEN SERIES | 1080

DIMENSIONS



CUT-OUTS FOR BOTH TOPMOUNT & UNDERMOUNT

