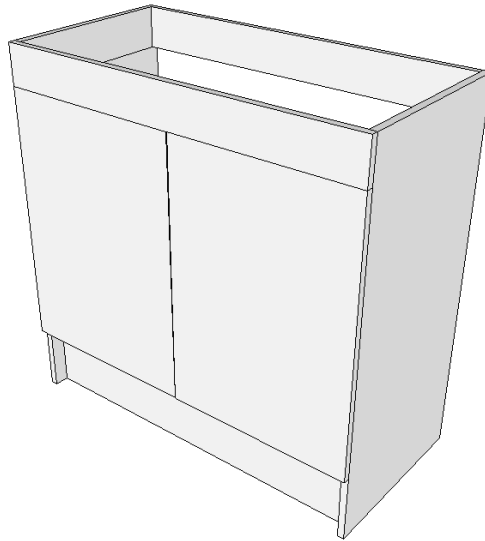


TOTARAPAK | 900



ASSEMBLY INSTRUCTIONS

IMPORTANT!

Please read these instructions carefully prior to assembling the cabinet.

This will prevent damage to product and save you time.

Assemble cabinet on a flat clean surface.

protect floor surface with cardboard or soft covering.

When Moving Cabinets they **MUST** be lifted **NOT** dragged across the floor.

YOU WILL REQUIRE THE FOLLOWING TOOLS

Screwdriver- Pozi-Drive No.2

Hammer

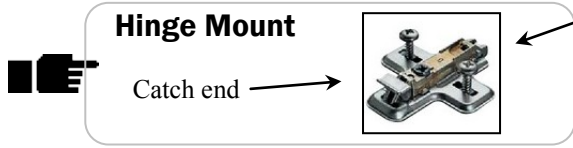
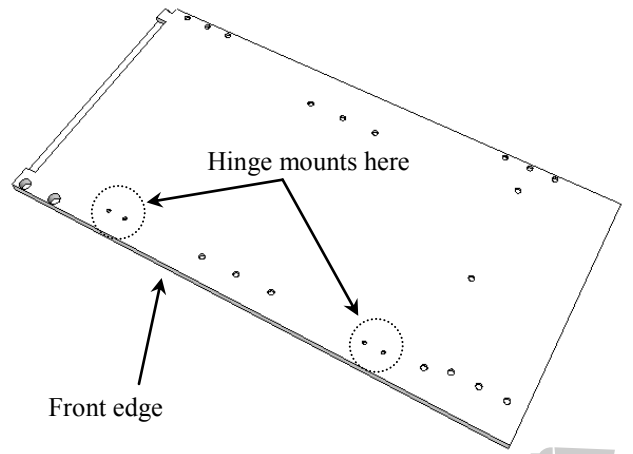
YOUR PACK CONTAINS THE FOLLOWING COMPONENTS

- 1 x Left Side
- 1 x Right Side
- 1 x Bottom
- 1 x Shelf
- 1 x Frontrail
- 2 x Backrails
- 2 x Doors
- 1 x Toekick
- 1 x Hardware kit

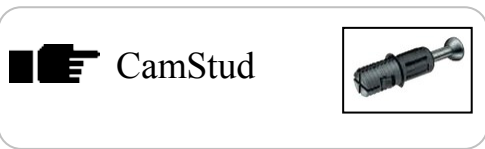




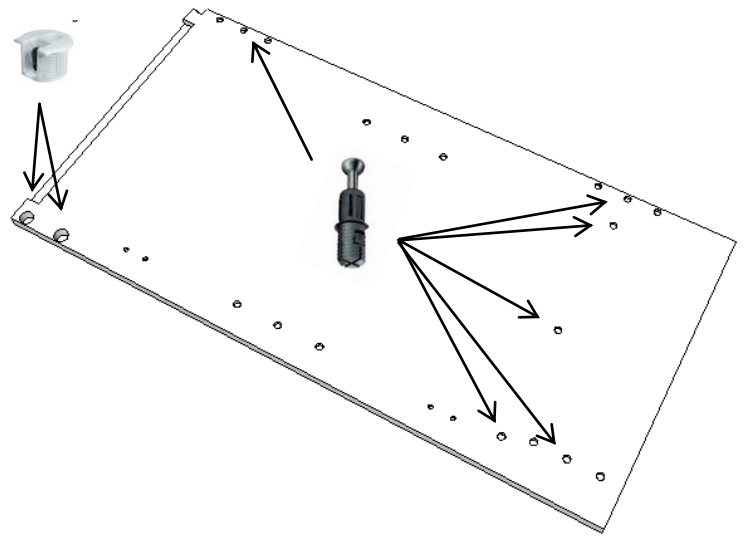
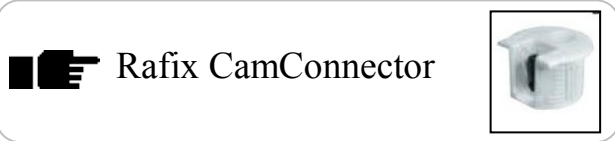
Place hinge mounts on sides as indicated.
Note: Check mount position.



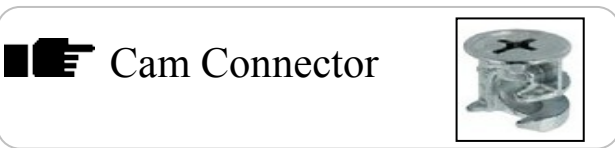
Place Cam Studs into position.
A lite tap maybe required



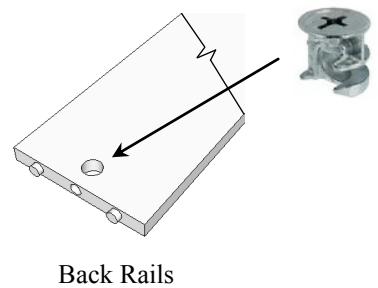
Place Rafx Cam connectors into position.



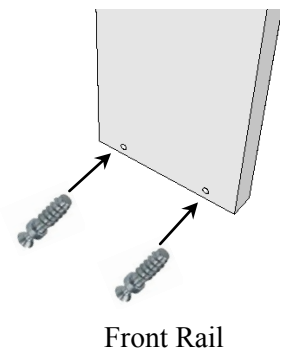
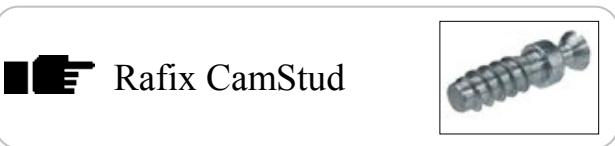
Place Cam Connectors into back rails and Floor



TIP : Arrow pointing outward →



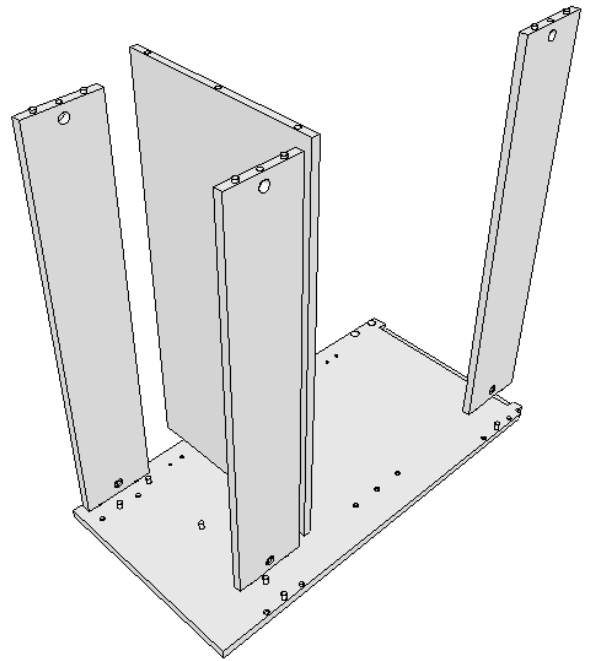
Fit Rafx CamStud to Front rail
Use screw driver to screw stud in



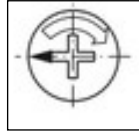


Fit Back Rails to side and tighten Cam Connectors


NOTE: Fit Floor to side with Cam holes face down toward Bottom of cabinet

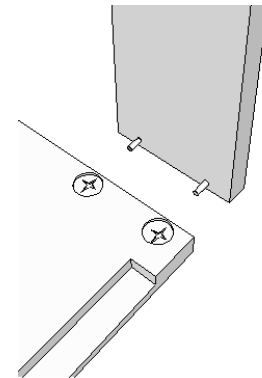
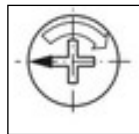


 Turn cam clockwise to tighten



Fit front rail and tighten Rafx Cam Connector

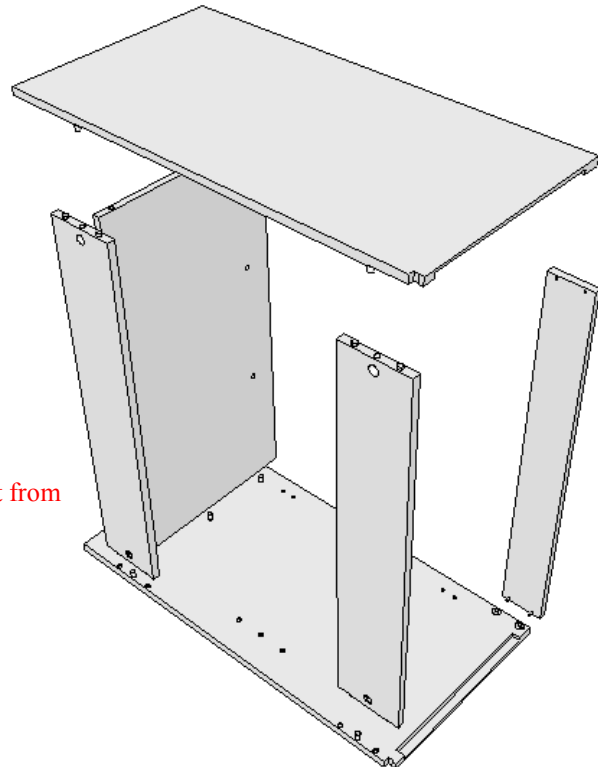
 Turn cam clockwise to tighten



Fit remaining side and tighten all cams

Tip : Check all Cam connectors twice to make sure they are tight.

NOTE: Looking at the unit from the back

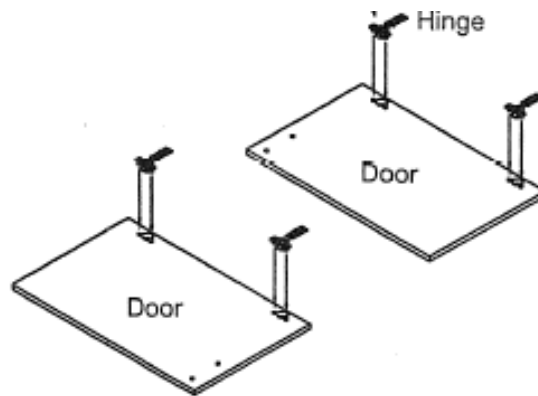




Fit Knock IN hinges to doors.
Line up holes and tap into place

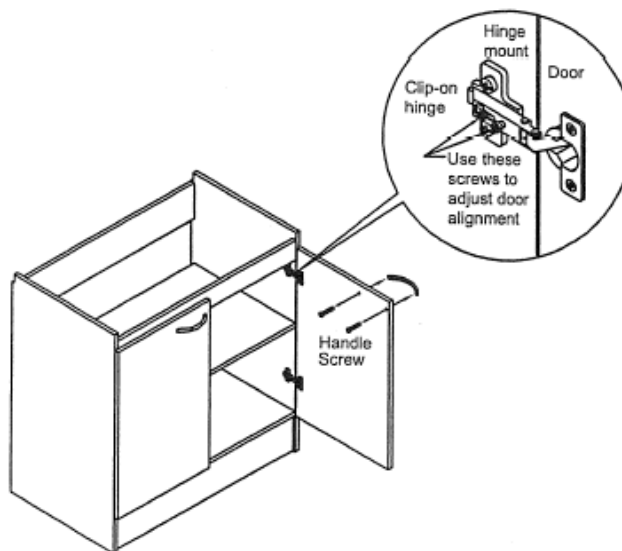
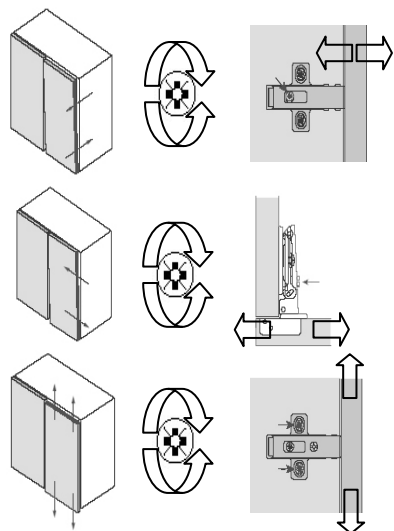


Knock In Hinges



Fit shelf studs in place and fit shelf. Clip on door to hinge mounts and use adjustment screw to align doors. Fit handles to doors with handle screws.

HOW TO ADJUST



handles and screws



Shelf studs



FITTING SINK TOP

Before fitting top.
Place silicone around top edge of the cabinet
Then carefully insert sink on top of cabinet

TIP : Clean excess silicone off quickly with a clean cloth. Do not use your fingers

