

# TOTARAPAK | 1200



## ASSEMBLY INSTRUCTIONS

### IMPORTANT!

Please read these instructions carefully prior to assembling the cabinet.

This will prevent damage to product and save you time.

Assemble cabinet on a flat clean surface.

protect floor surface with cardboard or soft covering.

When Moving Cabinets they **MUST** be lifted **NOT** dragged across the floor.

### YOU WILL REQUIRE THE FOLLOWING TOOLS

Screwdriver- Pozi-Drive No.2

Hammer

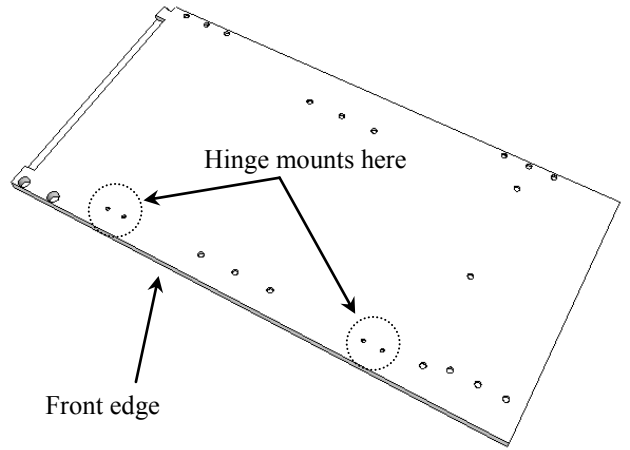
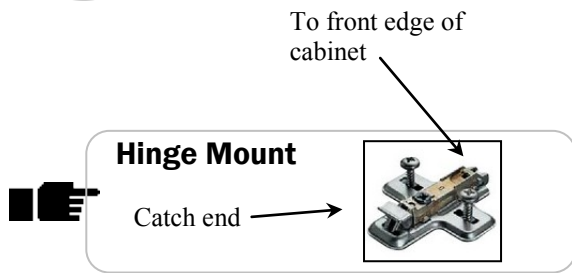
### YOUR PACK CONTAINS THE FOLLOWING COMPONENTS

- |                          |                     |                          |                           |
|--------------------------|---------------------|--------------------------|---------------------------|
| <input type="checkbox"/> | 1 x Left Side       | <input type="checkbox"/> | 1 x Small Door            |
| <input type="checkbox"/> | 1 x Right Side      | <input type="checkbox"/> | 1 x Drawer Front          |
| <input type="checkbox"/> | 1 x Bottom          | <input type="checkbox"/> | 1 x Toekick               |
| <input type="checkbox"/> | 1 x Shelf           | <input type="checkbox"/> | 1 x Drawer Bottom         |
| <input type="checkbox"/> | 1 x Partition       | <input type="checkbox"/> | 1 x Drawer Back           |
| <input type="checkbox"/> | 1 x Frontrail       | <input type="checkbox"/> | 1 x Hardware Kit          |
| <input type="checkbox"/> | 1 x Top Backrail    | <input type="checkbox"/> | 1 x Steel L/H Drawer side |
| <input type="checkbox"/> | 1 x Bottom Backrail | <input type="checkbox"/> | 1 x Steel R/H Drawer side |
| <input type="checkbox"/> | 1 x Left Door       | <input type="checkbox"/> | 1 x L/H Drawer runner     |
| <input type="checkbox"/> | 1 x Right Door      | <input type="checkbox"/> | 1 x R/H Drawer runner     |





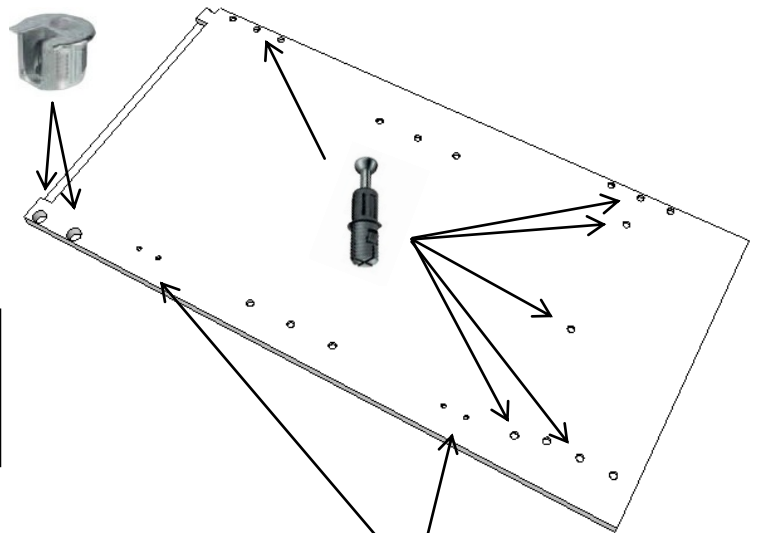
Place hinge mounts on sides and division as shown.



Place Cam Studs into position. A lite tap maybe required

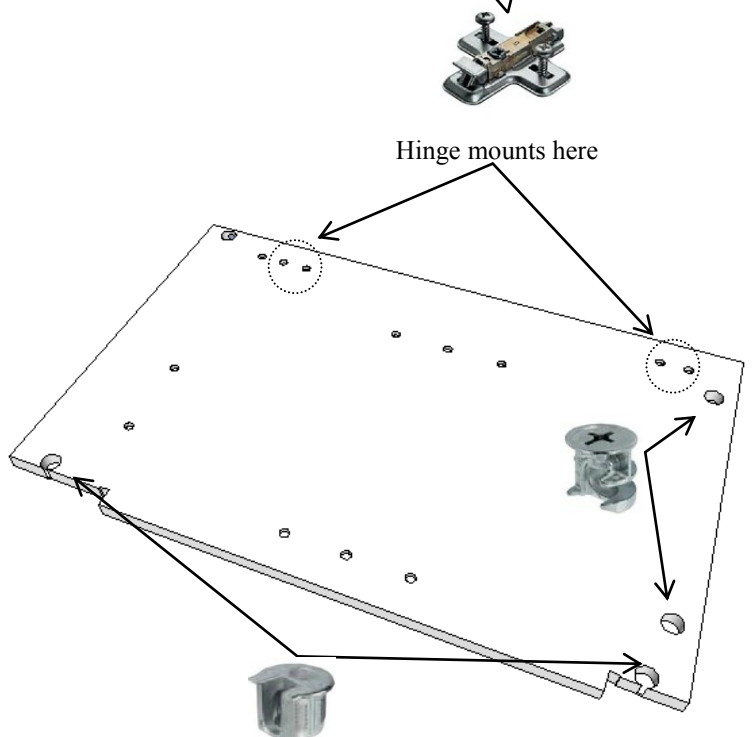


Place Rafix Cam connectors into position.



Division

Fit Cams into position on the division and fit hinge mounts



# 4

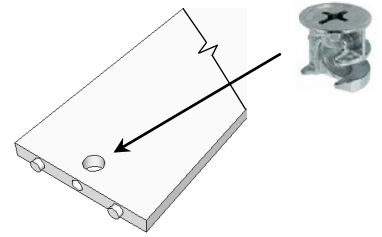
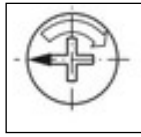
Place Cam Connectors into back rails and Floor



Cam Connector

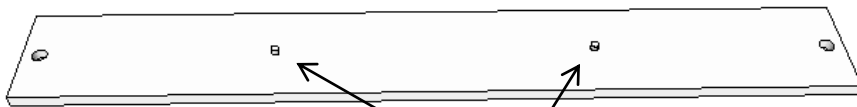


**TIP** : Arrow pointing outward

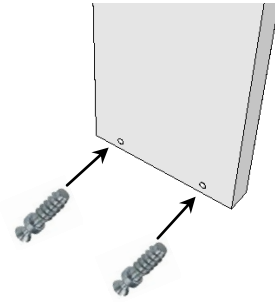


Back Rails

Fit Rafx CamBolt to Front rail(5) and middle of back rails



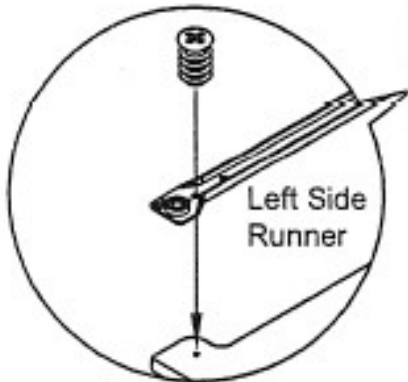
Rafx CamBolt



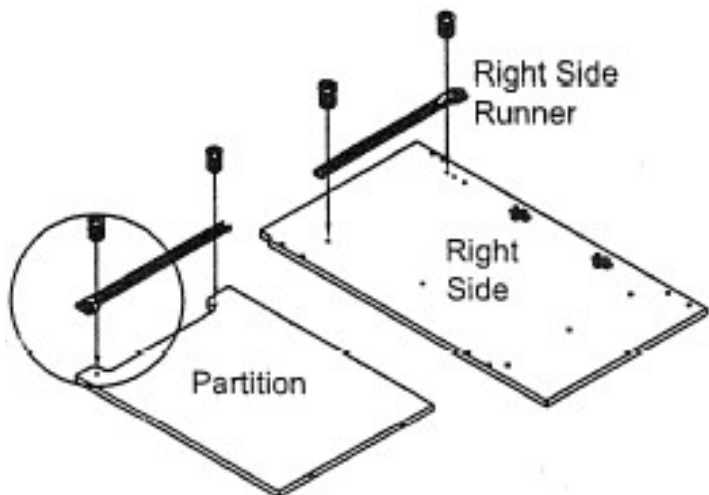
Front Rail

# 5

Screw both runners to the R/H side and Partition with 4 drawer runner screws.



Left Side Runner



Right Side Runner

Right Side

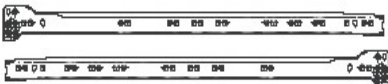
Partition



4 x Runner Screw



Drawer Runner (Pair-L/H & R/H)  
400mm Long





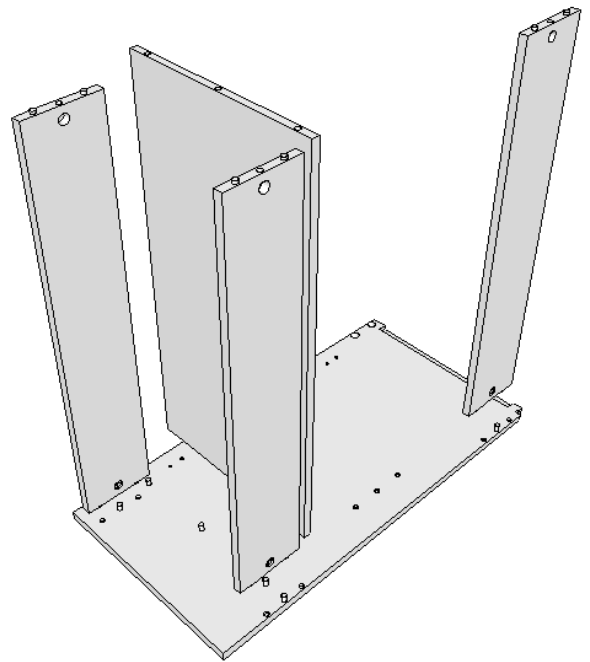
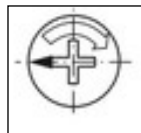
## Fit Back Rails, Kick board to side and tighten Cam Connectors

Fit Floor to side with Cam holes face down toward Bottom of cabinet

NOTE: Top Back Rail to be fitted after division see section 5 of instructions



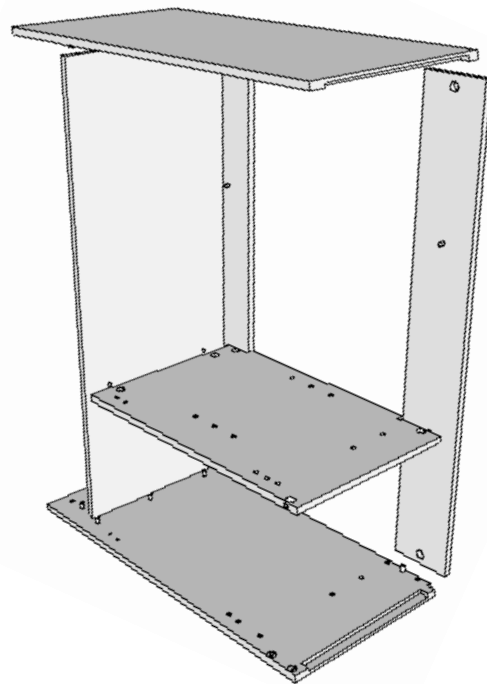
Turn cam clockwise to tighten



Fit Division and tighten cams, then fit Top Back rail and secure.

Fit remaining side and tighten all cams

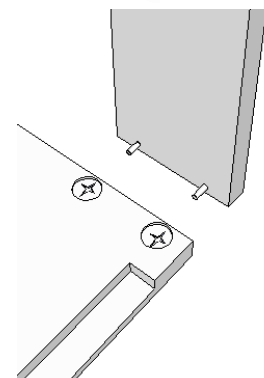
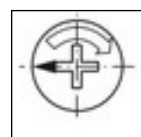
**Tip** : Check all Cam connectors twice to make sure they are tight.



Fit front rail and tighten Rafix Cam Connector



Turn cam clockwise to tighten



# 9

## DRAWER BOX ASSEMBLE.

**NOTE:**  
Press Drawer base firmly onto locator tabs on both drawer sides. (Drawer base is drilled to correspond with these lugs).

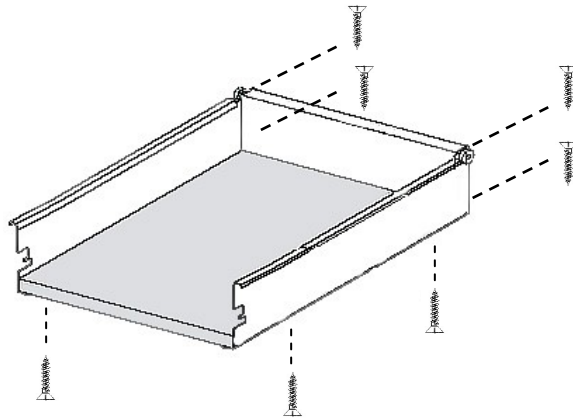
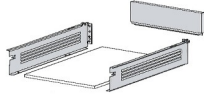
### Drawer Back Fixing Screw



POZI-BIT No2.



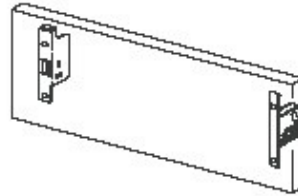
### Drawer Components



## FIX DRAWER FRONT BRACKETS ONTO DRAWER FRONTS

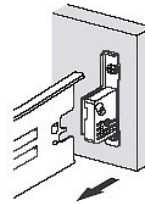
# 10

**IMPORTANT:**  
Drawer Front Brackets fixed to correspond with engravings on brackets.  
"L" equals LEFT Hand Bracket  
"R" equals RIGHT Hand Bracket.



### Drawer Front Brackets

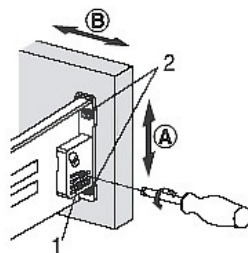
Stamped with-  
L (Left Hand Bracket)  
R (Right hand Bracket)



Knock into pre-drilled holes using hammer or plastic mallet

# 11

## DRAWER FRONT ADJUSTMENT- Install drawer into Cabinet first.



**A HEIGHT ADJUSTMENT-**  
Adjust screw 1 to move Drawer Front up or down.  
Move front into required position. Re-tighten screw 1.

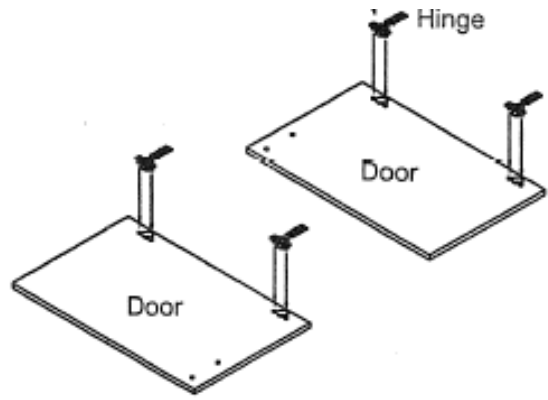
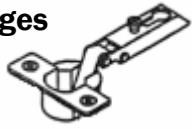
**B SIDE ADJUSTMENT-**  
Loosen screw 2 slightly. Move front into required position. Re-tighten screw 2.

# 12

Fit Knock IN hinges to doors.  
Line up holes and tap into place



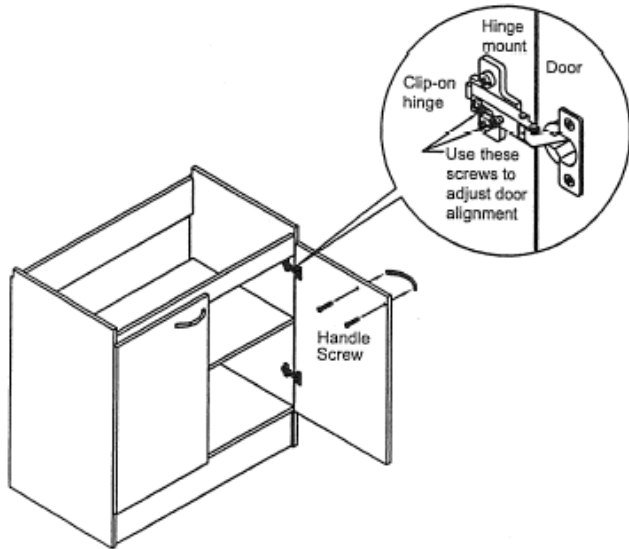
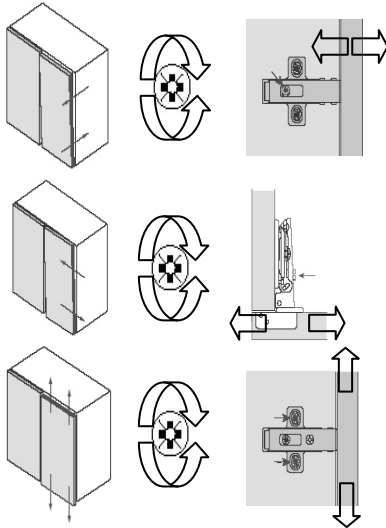
## Knock In Hinges



# 13

Fit shelf studs in place and fit shelf. Clip on door to hinge mounts and use adjustment screw to align doors. Fit handles to doors with handle screws.

## HOW TO ADJUST



## handles and screws



## Shelf studs



## FITTING SINK TOP

Before fitting top.  
Place silicone around top edge of the cabinet  
Then carefully insert sink on top of cabinet

**TIP :** Clean excess silicone off quickly with a clean cloth. Do not use your fingers

