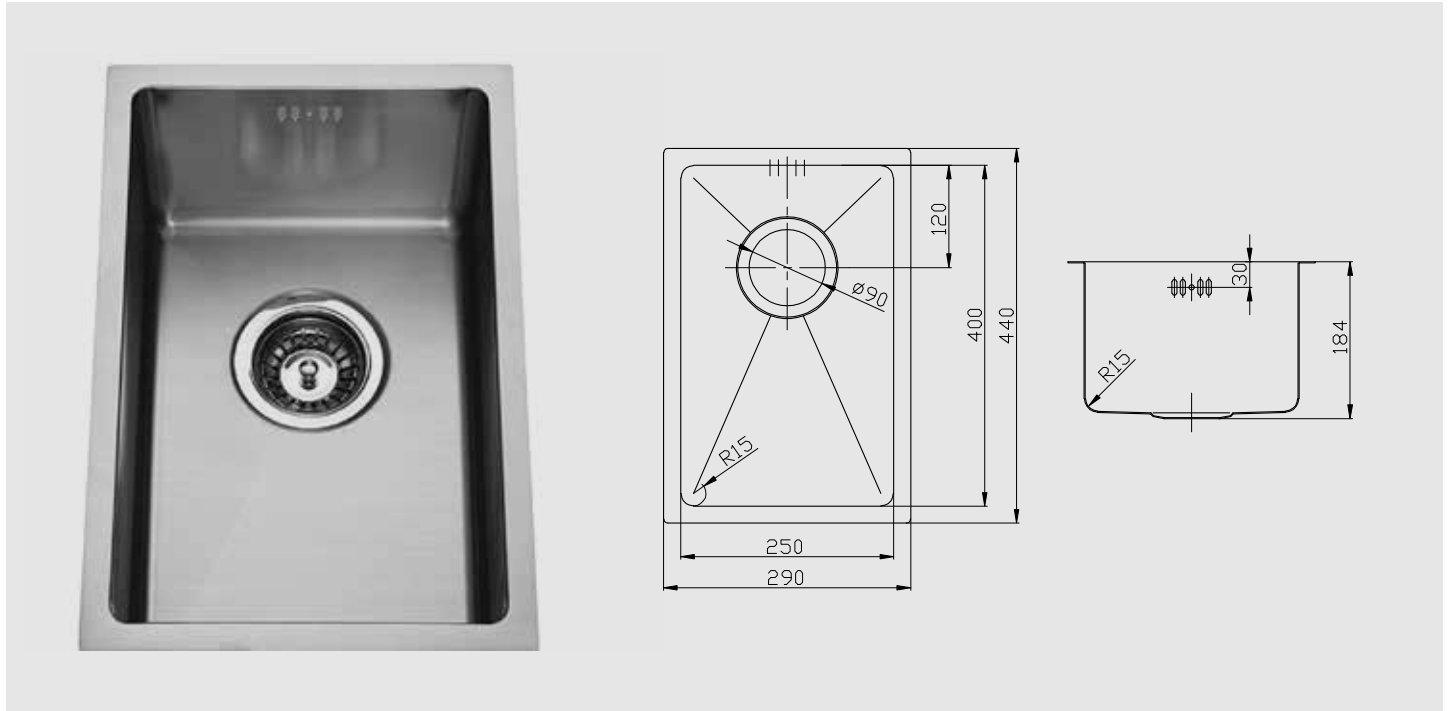


R15 SERIES | 250

Handmade quality for modern designer kitchens.

1 BOWL



R15 SERIES 250

The R15 SERIES of sinks feature square lines that are right at home in modern designer kitchens. Built to last from high grade 18/10, 304, 1.2mm gauge brushed satin stainless steel, these sinks are handmade and best suited to undermounting on a solid surface.

All products in this R15 SERIES offer easy cleaning with 15mm corner radius bowls. Lifetime limited warranty on stainless steel.

SPECIFICATIONS

Dimensions

Overall Size: 290 x 440 x 184mm
 Main Bowl Size: 250 x 400 x 184mm
 Bowl Radius: 15mm
 Minimum Cabinet: 350mm

Product Details

Installation: Undermount, Flushmount or Welded (by a professional).
 Material: High grade, 304, 18/10 Stainless Steel
 Thickness: 1.2mm gauge
 Finish: Satin Brushed
 Reversible: No
 Edge detail: Flat laser edge

PRODUCT FEATURES

- Sound proofing pads on all sides.
- Special spray on insulation coat which retains water temperature for longer.

Waste & Overflow System

- Basket waste with overflow kit and mounting brackets are included.
- 90mm waste hole.

Warranty

Lifetime limited warranty on stainless steel.

Product Sku Code

R15 250

