

NOIR SERIES | 860

Designer sinks with a natural stone look.

1 BOWL & DRAINER



NOIR SERIES 860

The NOIR SERIES of granite sinks offer a contemporary design that is elegant, stylish and very durable. Made from 77% Quartz and 23% acrylic resin, these sinks have the look of natural stone.

Resistant to heat, dents and chips, they will maintain their colour and resist stains for many years.

Sound-resistant quartz means that NOIR SERIES sinks are quieter than stainless steel sinks, as well as being non-porous and resistant to bacteria and odours. Suitable for top mounting, these sinks will complement your modern kitchen.

SPECIFICATIONS

Dimensions

Overall Size: 860 x 500 x 200mm
Main Bowl Size: 435 x 430 x 200mm
Minimum cabinet size: 500mm
Cut out size: 830 x 470mm

Product Details

Installation: Topmount
Material: 77% Quartz & 23% Acrylic
Colour: Black
Reversible: No

PRODUCT FEATURES

- Impact resistant.
- Heatproof up to 300°C.
- Anti bacterial and extremely hygienic.

Waste & Overflow System

- Basket waste with overflow kit, clips included.
- 90mm waste hole.

Warranty

5 year peace of mind warranty.

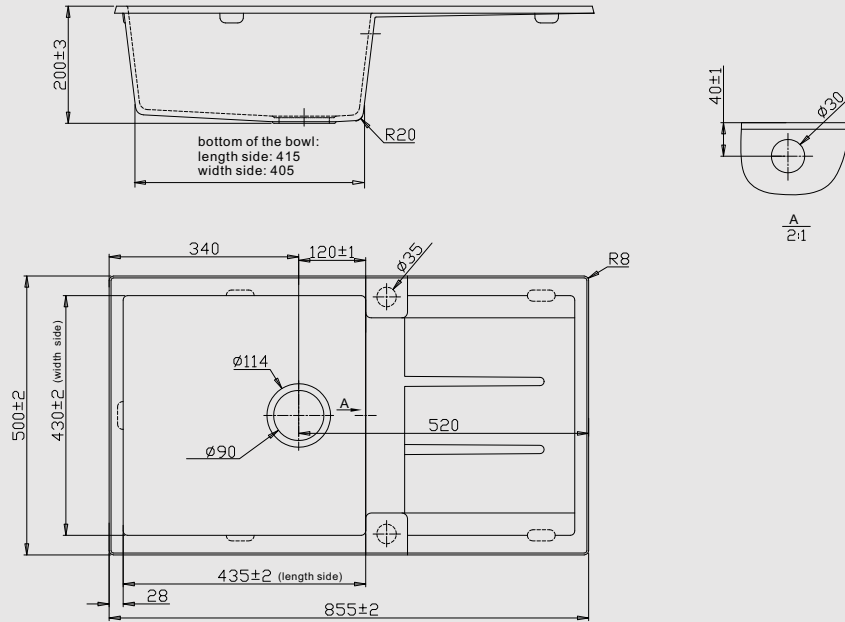
Product Sku Code

Noir 860



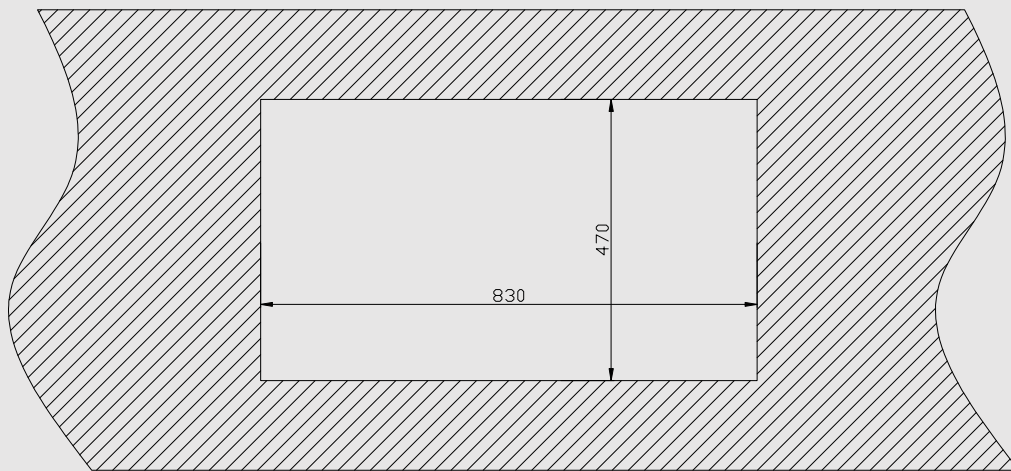
NOIR SERIES | 860

DIMENSIONS



NOIR 860

CUT-OUT FOR TOPMOUNT



NOIR 860

topmount cutout size: 830x470mm