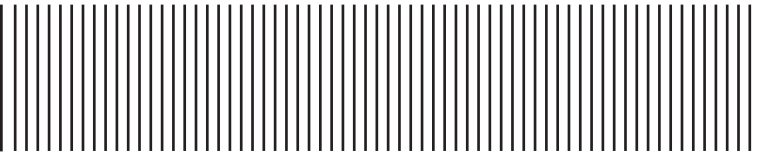




**NOIR  
SERIES**



# NOIR SERIES | 1000R

Designer sinks with a natural stone look.

1 & 1/2 BOWL & RIGHT HAND DRAINER



## NOIR SERIES 1000R

The NOIR SERIES of granite sinks offer a contemporary design that is elegant, stylish and very durable. Made from 77% Quartz and 23% acrylic resin, these sinks have the look of natural stone.

Resistant to heat, dents and chips, they will maintain their colour and resist stains for many years.

Sound-resistant quartz means that NOIR SERIES sinks are quieter than stainless steel sinks, as well as being non-porous and resistant to bacteria and odours. Suitable for top mounting, these sinks will complement your modern kitchen.

## SPECIFICATIONS

### Dimensions

Overall Size: 1000 x 500 x 200mm  
Main Bowl Size: 350 x 420 x 200mm  
Secondary Bowl Size: 170 x 285 x 155mm  
Minimum cabinet size: 650mm  
Cut out size: 970 x 470mm  
Tap Hole: Drilled

### Product Details

Installation: Topmount  
Material: 77% Quartz & 23% Acrylic  
Colour: Black  
Reversible: No

## PRODUCT FEATURES

- Impact resistant.
- Heatproof up to 300°C.
- Anti bacterial and extremely hygienic.

### Waste & Overflow System

- 2 basket waste, one with overflow kit, clips included.
- 90mm waste hole.

### Warranty

5 year peace of mind warranty.

### Product Sku Code

Noir 1000R



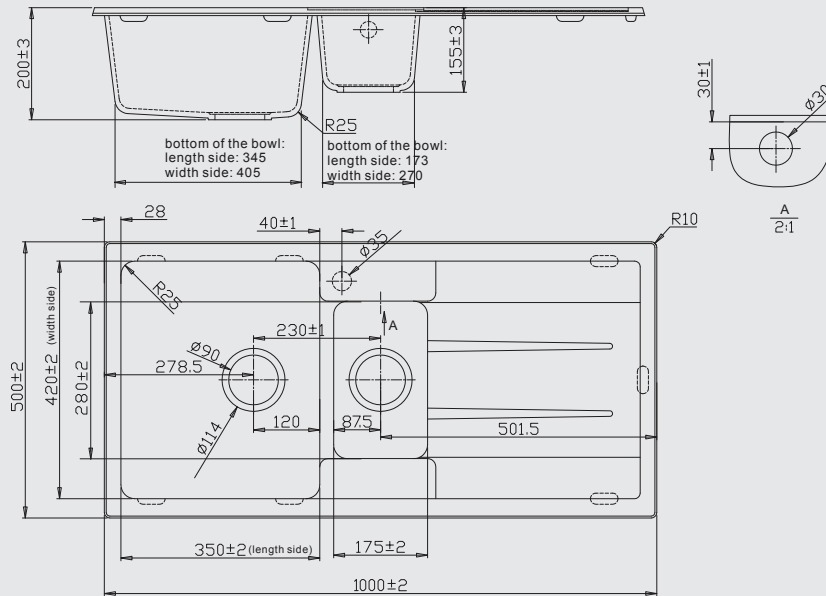
MM BRANDS  
263 Ti Rakau Drive, East Tamaki,  
Auckland 2140, New Zealand.

Help & Support  
For more information please go  
to our website or contact us.

Call: +64 9 274 0111 or 0800 536 252  
Email: [sales@mmbrands.co.nz](mailto:sales@mmbrands.co.nz)  
[www.sinxbytotara.co.nz](http://www.sinxbytotara.co.nz)

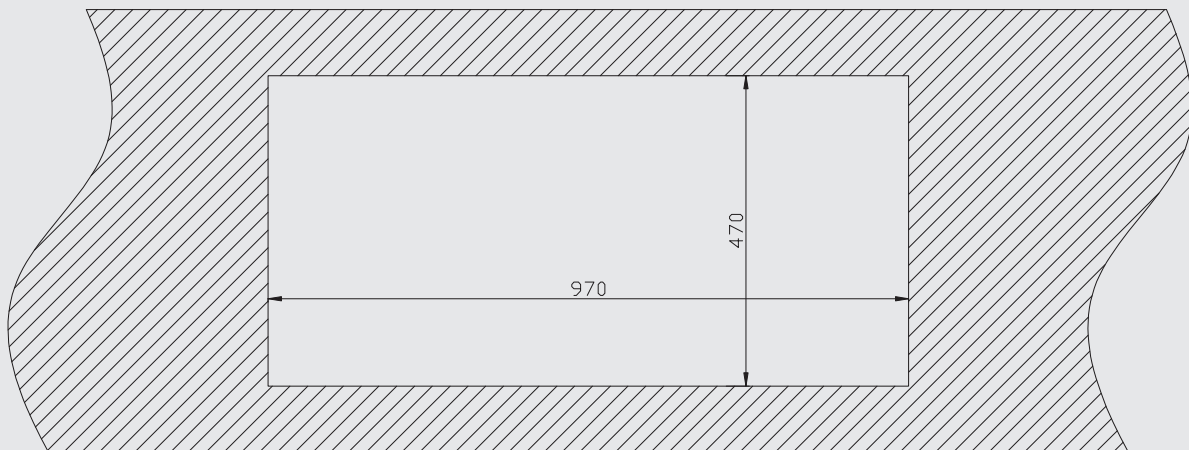
# NOIR SERIES | 1000R

DIMENSIONS - RIGHT HAND DRAINER



NOIR 1000R

CUT-OUT FOR TOPMOUNT



NOIR 1000R

topmount cutout size: 970x470mm