

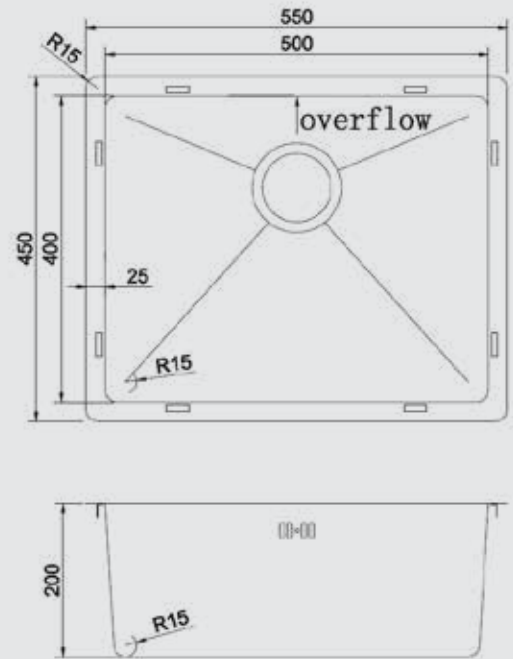


# CUBE SERIES

## CUBE SERIES | 50

Affordable, quality hand crafted sinks.

### 1 BOWL



### CUBE SERIES 50

The CUBE SERIES of sinks offers hand crafted quality at affordable prices. With a wide selection of popular sizes in both single and double bowls, these sinks are made from high grade 18/10, 304, 1.0mm gauge brushed satin stainless steel.

All the CUBE SERIES sinks are suitable for both top mounting and under mounting, and all sinks feature easy-to-clean 15mm radius corners.

### SPECIFICATIONS

#### Dimensions

- Overall Size: 550 x 450 x 200mm
- Main Bowl Size: 500 X 400 X 200mm
- Bowl Radius: 15mm
- Minimum Cabinet: 600mm

#### Product Details

- Installation: Undermount, Topmount or Welded
- Material: High grade, 304, 18/10 Stainless Steel
- Thickness: 1.0mm gauge
- Finish: Satin Brushed
- Reversible: No
- Edge detail: Laser Flat

### PRODUCT FEATURES

- Sound proofing pads on all sides.
- Special spray on insulation coat which retains water temperature for longer.

#### Waste & Overflow System

- Basket waste with overflow kit.
- 90mm waste hole.

#### Warranty

Lifetime limited warranty on stainless steel.

#### Product Sku Code

Cube 50



MM BRANDS  
263 Ti Rakau Drive, East Tamaki,  
Auckland 2140, New Zealand.

Help & Support  
For more information please go  
to our website or contact us.

Call: +64 9 274 0111 or 0800 536 252  
Email: sales@mmbrands.co.nz  
www.sinxbytotara.co.nz

# CUBE SERIES | 50

CUT-OUTS FOR BOTH TOPMOUNT & UNDERMOUNT

